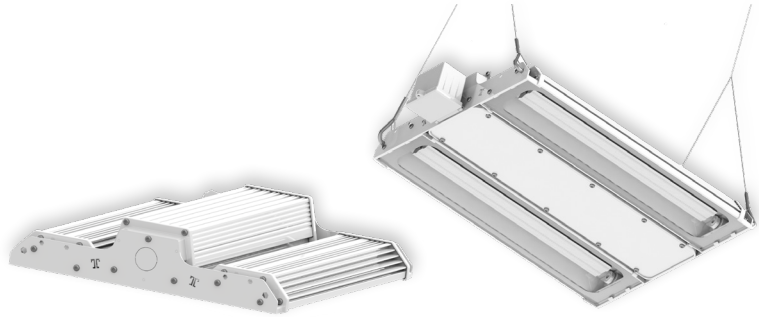


# High Bay IP66



## Product information

This new IP66 rated LED fixture range offers an exceptional mixture of value and performance for High Bay applications requiring high water and impact resistance. This brand new Tungsram developed range has been upgraded to reach very high efficacy up to 182 lm/W with lumen packages from 10,000 to 30,000 lumens. The range includes wide variety of alternatives for colour temperature, color rendering, beam angle and control systems to fit customer requirements. DALI, IoT and various sensor versions offer individual and grouped fixture control. Designed to replace high watt HID and T5/T8 LFL fixtures.

## Applications

- Designed to meet luminance and illuminance requirements for High bay and Low bay applications where water resistance and high impact resistance is specified

## Housing

- Robust extruded aluminum body with integrated cooling ribs and tempered glass window
- IP66/65 and IK08 rating

## Ratings

Temperature Rated at -30°C to +60°C

- 1H10 - L80B50 > 90 000 @ Ta=60
- 1H10 - L80B50 >100 000 @Ta=25
- 1H20 - L80B50 > 72 000 @ Ta=60
- 1H20 - L80B50 >100 000 @Ta=25
- 2H30 - L80B50 > 82 000 @ Ta=60
- 2H30 - L80B50 >100 000 @Ta=25
- 1S10 - L80B50 > 100 000 @ Ta=50
- 1S10 - L80B50 >100 000 @Ta=25
- 1S20 - L80B50 > 63 000 @ Ta=50
- 1S20 - L80B50 >100 000 @Ta=25
- 1S30 - L80B50 > 50 000 @ Ta=48
- 1S30 - L80B50 >83 000 @Ta=25

## LED & Optical Assembly

- Utilising the high performing NEW Tungsram optics system to provide optimised illumination for open floor and racked aisles with photometric distributions of 30, 60, 90 and 120 degrees
- Lumen packages up to 30,000 lumens
- 4000K & 5000K versions
- 70 & 80 CRI options

## Application areas

- warehouses
- production halls
- logistics
- sports halls
- airplan hangars

## Mounting

- Two mounting options: Bracket kit for ceiling and wall mounting or Suspension holder kit

## Finish

- Painted white finish with standard color: RAL 9016

## Electrical

- 220-240V/50-60Hz
- System power factor is >90% and THD <20%

## Remote controller Accessories

Need to be ordered separately

- \* Remote controller - product code 93110511

## Controls

- Fixed output available for Standard (S) series only.
- 1S30 and 2H30 has 2 drivers, DALI versions have 2 DALI addresses.
- Dali versions are available for both High (H) and for Standard (S) series
- SN motion & lux sensor – enables standalone fixture control up to 15m installation height. Can be used with Standard (S) series only
- RF wireless sensor – enables control for grouped fixtures with RF (Radio Frequency) sensor in a local lighting control system grid without additional DALI wires, up to 12m installation height. Available for both High (H) and Standard (S) series.
- The protection level for both RF and SN sensors is IP65.

# Order Logic

Product ID	Module / Efficiency / Lumen	CCT / CRI	Optic	Sensor - Control	Options1	Options2
<b>TU High bay IP66 - Standard</b>						
<b>TU HB IP66 G1</b>	1S10 - 1M Std 10klm	4K - 4000K 70 CRI70	C1-120° Clear	FX- Fix output  DL- DALI	ST-Standard  EA-EM auto-test	PC- Pre-cabled  QC- Quick Connect
	1S20 - 1M Std 20klm	5K - 5000K 70 CRI70	L9-90° Clear			
	1S30 - 1M Std 30klm	4K - 4000K 80 CRI80	L6-60° Clear			
		5K - 5000K 80 CRI80	L3-30° Clear			
<b>TU High bay IP65 - Standard</b>						
<b>TUHB IP65 G1</b>	1S10 - 1M Std 10klm	4K - 4000K 70 CRI70	C1-120° Clear	SN- Sensor(ON/OFF)  RF Sensor(Motion&Lux)	ST-Standard  EA-EM auto-test	PC- Pre-cabled  QC- Quick Connect
	1S20 - 1M Std 20klm	5K - 5000K 70 CRI70	L9-90° Clear			
	1S30 - 1M Std 30klm	4K - 4000K 80 CRI80	L6-60° Clear			
		5K - 5000K 80 CRI80	L3-30° Clear			
<b>TU High bay IP66 - High Efficiency</b>						
<b>TUHB IP66 G1</b>	1H10 - 1M Std 10klm	4K - 4000K 70 CRI70	C1-120° Clear	DL- DALI	ST-Standard  EA-EM auto-test	PC- Pre-cabled  QC- Quick Connect
	1H20 - 1M Std 20klm	5K - 5000K 70 CRI70	L9-90° Clear			
	2H30 - 1M Std 30klm	4K - 4000K 80 CRI80	L6-60° Clear			
		5K - 5000K 80 CRI80	L3-30° Clear			
<b>TU High bay IP65 - High Efficiency</b>						
<b>TUHB IP65 G1</b>	1H10 - 1M Std 10klm	4K - 4000K 70 CRI70	C1-120° Clear	RF Sensor(Motion&Lux)	ST-Standard  EA-EM auto-test	PC- Pre-cabled  QC- Quick Connect
	1H20 - 1M Std 20klm	5K - 5000K 70 CRI70	L9-90° Clear			
	2H30 - 1M Std 30klm	4K - 4000K 80 CRI80	L6-60° Clear			
		5K - 5000K 80 CRI80	L3-30° Clear			



Module / Efficiency / Lumen	5000K 70 CRI Clear 120 optics Dali driver				CCT/CRI multipliers		Optical multipliers	
	Module	Power(W)**	Lumen	lm/W				
1S10	1	67	10000	149	5K70	100%	C1	100%
1S20	1	141	20500	145	5k80	96%	L9	93%
1S30	1	199	29200	151	4K70	96%	L6	94%
1H10	1	56	10200	182	4K80	95%	L3	94%
1H20	1	116	20100	173				
2H30	2	170	30100	177				

\* 1S30 and 2H30 has 2 drivers, DALI versions have 2 DALI addresses.

\*\* Fix output and sensor versions could have slightly different values

Additional lumen packs are under development.

Our products are in compliance with IEC 60598-2-1:1979 + A1 1987 used in conjunction with IEC 60598-1:2014.

# Mounting & Accessories

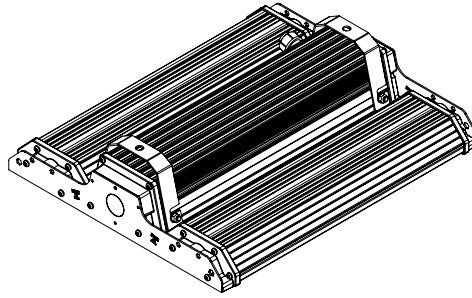
## Mounting Options

## Image

## Accessories

### Bracket kit (optional)

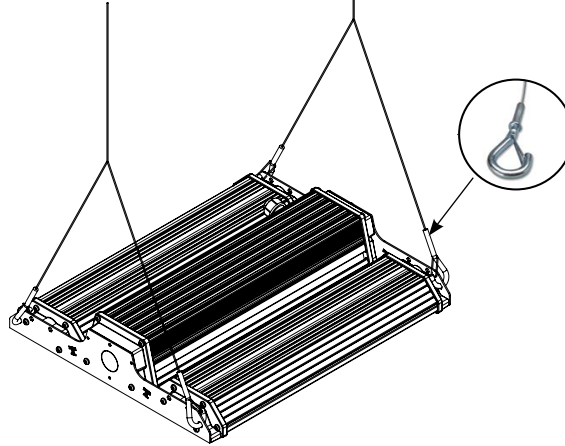
Order separately.  
Attaches to M10 threaded rod  
(rod and nuts not included).



High Bay IP66 fixture Bracket kit  
**93108565**

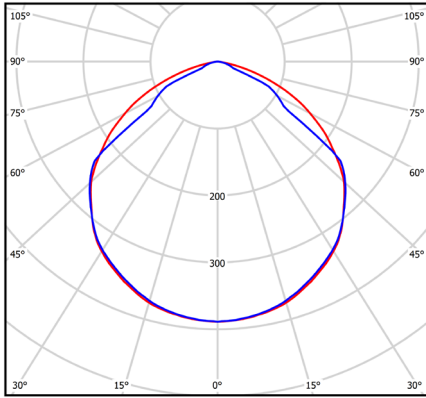
### Suspension holder kit (optional)

Order separately. Price adder per  
pair.

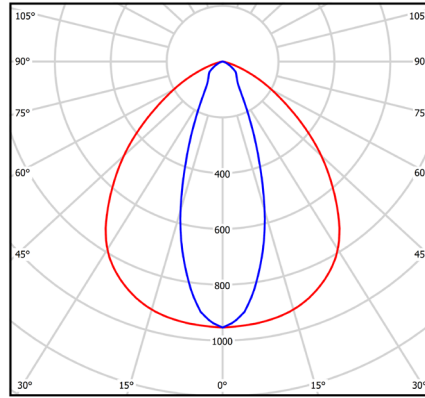


Cable options:  
1.5 m cable  
**YCABLEHOOK05FTPAIR** - 5 FOOT PAIR  
3 m cable  
**YCABLEHOOK10FTPAIR** - 10 FOOT PAIR  
4.5 m cable  
**YCABLEHOOK15FTPAIR** - 15 FOOT PAIR  
6 m cable  
**YCABLEHOOK20FTPAIR** - 20 FOOT PAIR

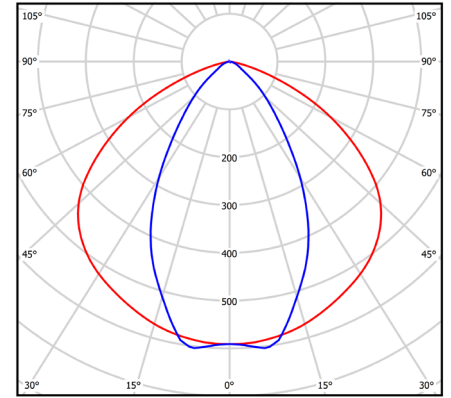
## Photometric data



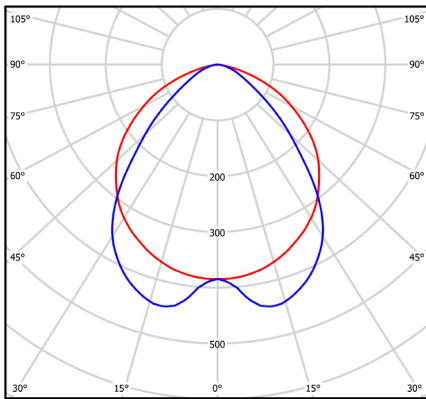
C1



L3

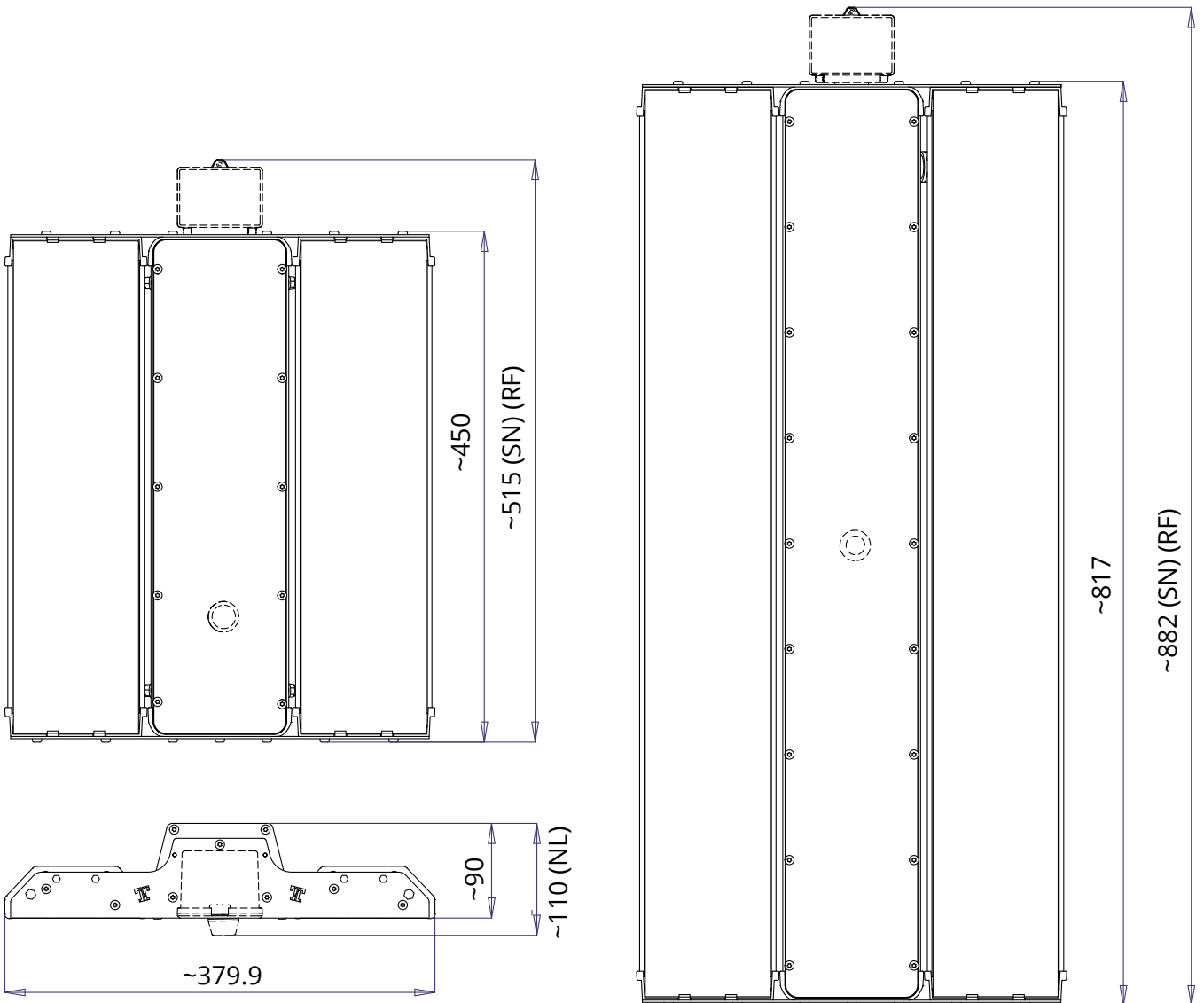


L6



L9

## Dimensions (mm)



Module	Weight
1 module	8kg
2 modules	12kg